

## PR133 'Chino' Waist Apron

### Description

This short waist Apron is designed with classic 'Chino' style accents for a cool and edgy uniform solution for bars and restaurants. Pocket detailing for practicality, together with typical 'Chino' waistband and fastening details. Team with the PR132 'Chino' Bib Apron for a great complementing style.

### Product Features:

- False fly detail for design
- 'Chino' waistband and pocket styling
- Metal eyelets secure 90cm self-fabric ties

### Available In:

One Size

### Certifications:

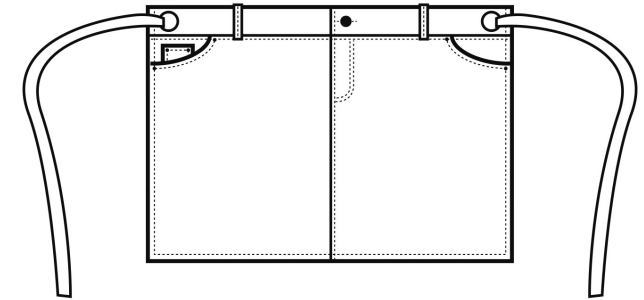


### Colours:

Colour	Pantone	C	M	Y	K
Black	Black c	0	0	0	100
Khaki	7536c	11	13	30	32
Navy	533c	95	72	15	67
Steel	431c	45	25	16	59

### Fabric:

100% Cotton Twill, 235gsm.



### Suggested Decoration:

Screen Print, Transfer Print, Embroidery, DTG

### Country of Origin:

Bangladesh

### Commodity Code:

6211 42 1000

### Features:



### Wash Care:



### Carton Information:

Sizes	Carton	Pack	SKU's	Carton Weight	Carton Dimensions
One Size	36	6	4	15kg	60cmx40cmx20cm

### Garment Sizes:

33cm long, 60cm wide.

Pocket Measurement: 21cm depth